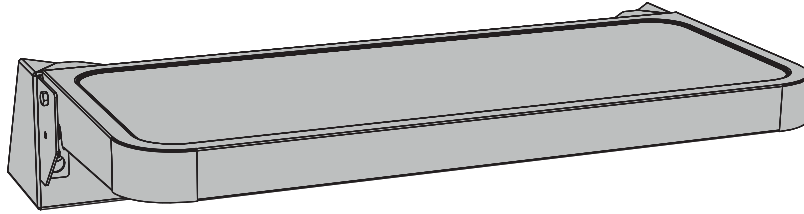


MASTERBUILT®

Front Shelf Instruction Sheet

Gravity Fed Grill CGP24G1D



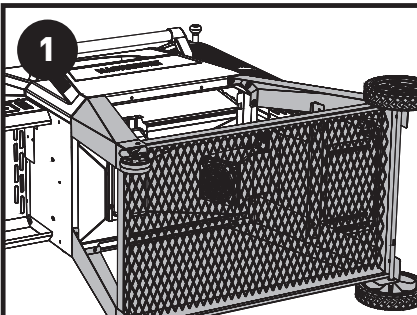
CAUTION

- Always remove plug from outlet before servicing your grill.
- Make sure your grill has fully cooled to avoid burns.
- Some components may have sharp edges. Use caution to avoid injury.
- Remove grates, warming racks, grease tray, ash tray, and charcoal from your grill.

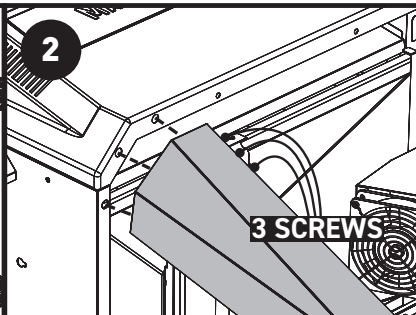


Note: It is recommended that you rotate your grill on it's side.

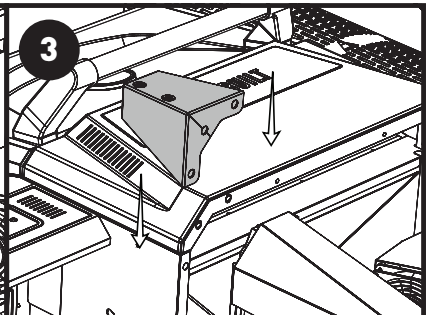
To prevent scratching during the assembly, use cardboard or mat under your grill.



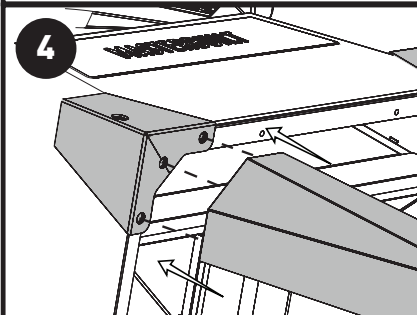
Loosen (6) screws on the front legs.



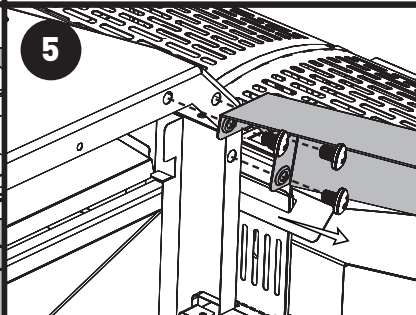
Remove (3) screws from the left front leg.
Separate the leg from the grill body.



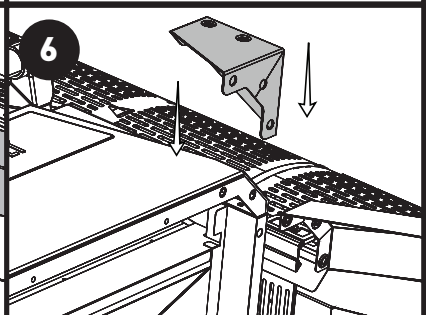
Install the bracket into the left front leg position.



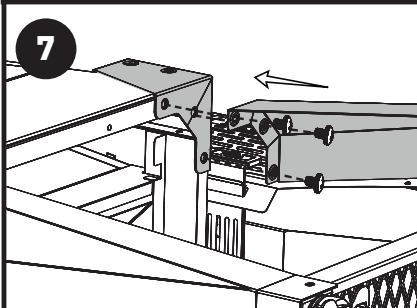
With the front leg positioned under the shelf bracket, use the (3) screws and attach the leg to the body. Fully tighten the screws.



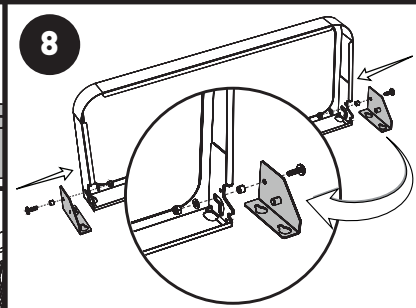
Remove (3) screws from the right front leg.
Separate the leg from the grill body.



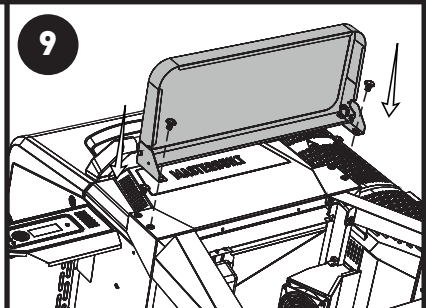
Install the bracket into the right front leg position.



With the front leg positioned under the shelf bracket, use the (3) screws and attach the leg to the body. Fully tighten the screws.



Install shelf brackets.



Install top screws halfway into grill. Place shelf over screw heads, add lower screws, then tighten screws.