

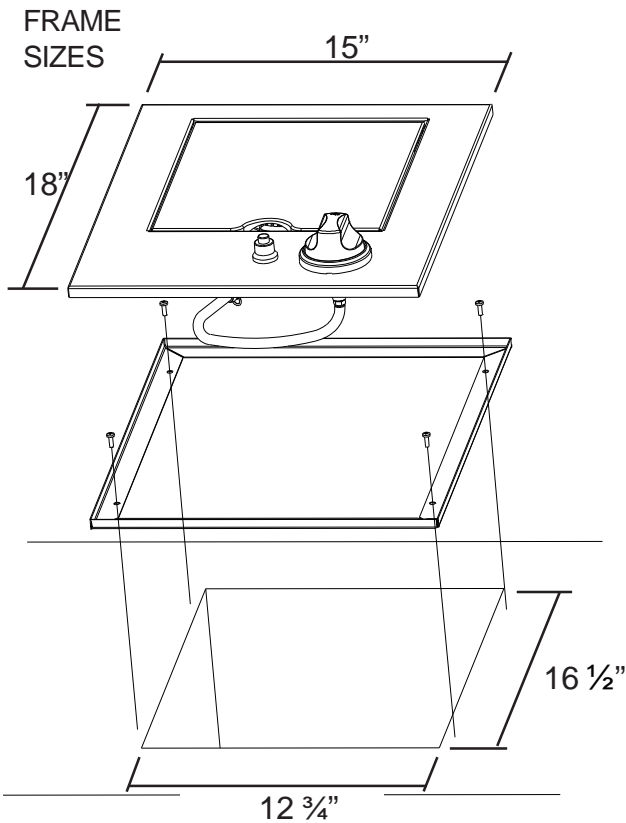


**GOURMET GRILLS**

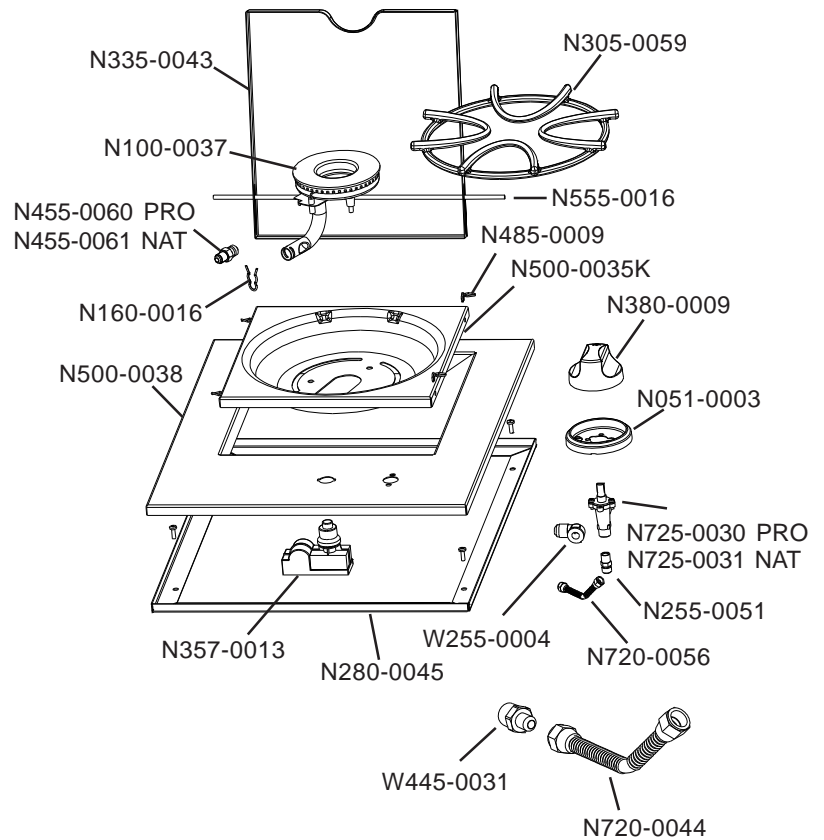
*Award Winning Products*

## BUILT-IN SIDE BURNER INSTALLATION

This Side Burner is designed for **NON-COMBUSTIBLE** enclosures only, and must be installed and serviced by a qualified installer to local codes. Use this manual in conjunction with your main manual to properly assemble your built-in grill. Refer to the main manual for operating, cleaning, and maintenance instructions.



**OPENING SIZES**  
**MUST BE MINIMUM 4 1/2" DEEP**  
**GAS ACCESS NEEDED AT FRONT RIGHT**  
**CORNER UNDER VALVE**



1. Fit the side burner frame overtop of the opening, space equally around all sides. The frame must be attached to the opening to prevent any future movement. (fasteners not included)
2. Ensure that there is at least 5 sq in of opening in the bottom of the cut out, for combustion air.
3. A flexible metal connector is included to simplify the installation of the side burner. Connect this connector to the 3/8" flared elbow on the end of the side burner valve. Connect the other end of the connector to the gas piping. Ensure the connector does not pass through a wall, floor, ceiling or partition, and is protected from damage. Do not use a hose to connect the side burner. It must be connected with either rigid pipe, copper tube or an approved flexible metal connector. The installation must comply with CAN B149.1 Natural Gas and Propane installation code in Canada, or to the National Fuel Gas code, ANSI Z223.1 in the United States.
4. Set the side burner overtop of the frame. Leak test the entire installation before operating the unit.